

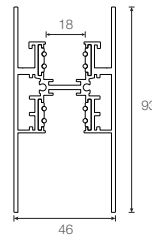
SPACE² XL TRACKS & ACCESSORIES

TRACK

48V track for surface mounted, recessed mounted or suspended application.

Type	Length	Colour
SXL-TRACK		
1000	1000mm	MB Matt Black
1500	1500mm	
2000	2000mm	

example: SXL-TRACK.1500.MB

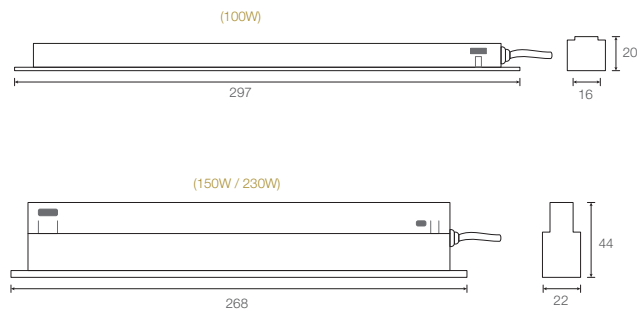


IN-TRACK POWER SUPPLY

In-track 48V Power Supply 100W / 150W / 250W (for all track types).
*Applicable for non-dim only, AC 220-240V 50-60Hz input.

Type	Power
SXL-TRACK-ITPS	
100	100W
150	150W
230	230W

example: SXL-TRACK-ITPS.150

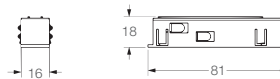


POWER FEED CONNECTOR

For connection to external 48V power supply.

Type	Colour
SXL-TRACK-PFC	
MB	Matt Black

example: SXL-TRACK-PFC.MB



*Applicable for non-dim and DALI dimmable.

STRAIGHT CONNECTOR

For extension of 48V connectivity when joining straight track sections.

Type	Colour
SXL-TRACK-SC	
MB	Matt Black

example: SXL-TRACK-SC.MB



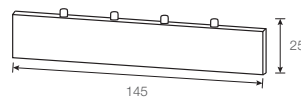
*Applicable for non-dim and DALI dimmable.

CONNECTION PLATE

For mechanical joining of straight track sections.

Type	Colour
SXL-TRACK-CP	
MB	Matt Black

example: SXL-TRACK-CP.MB

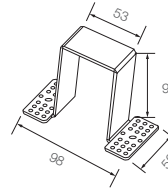


RECESSED KIT

Recessed mounting kit (for SXL-TRACK).

Type
SXL-TRACK-RKT

example: SXL-TRACK-RKT

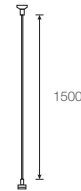


SUSPENSION KIT

Suspension kit with 1.5m Steel Wire (for SXL-TRACK).

Type	Colour
SXL-TRACK-SKT	_____
MB	Matt Black

example: SXL-TRACK-SKT.MB



END CAP

End Cap (for SXL-TRACK).

Type	Colour
SXL-TRACK-EC	_____
MB	Matt Black

example: SXL-TRACK-EC.MB

